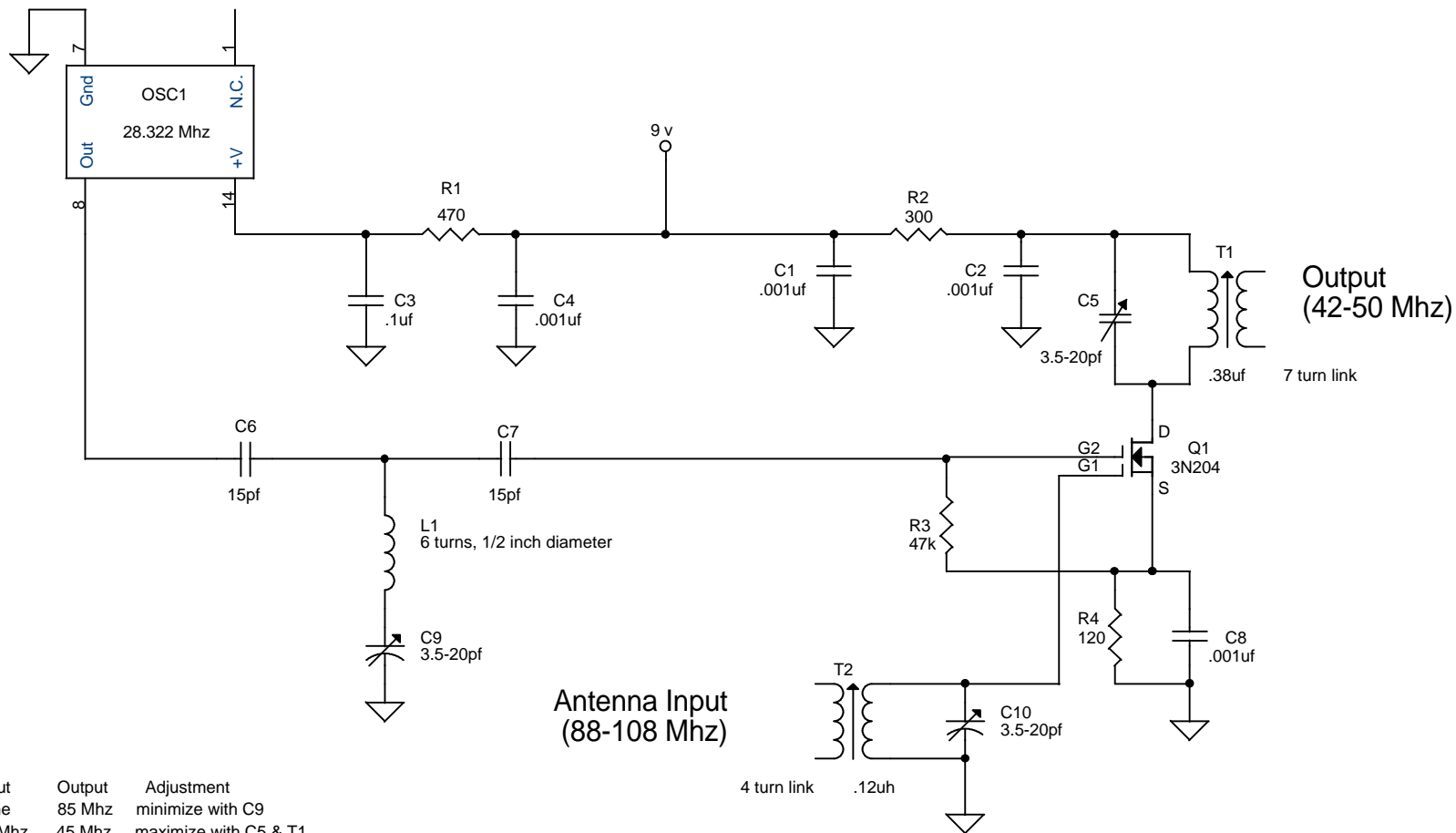


# Modern FM band (88-108 Mhz) to old FM band (42-50 Mc) down converter. Simplified Version



Input	Output	Adjustment
none	85 Mhz	minimize with C9
45 Mhz	45 Mhz	maximize with C5 & T1
96.61 Mhz	45 Mhz	maximize with C10 & T2

Size A	Document Number Simplified FM Band Down Converter	A. R. Mitz	Rev 0.7
Date: Friday, May 19, 2000		Sheet 1 of 1	