

4. INDICATES A PIN OF A PRINTED CIRCUIT BOARD CONNECTION.
 5. IC-1, IC-2, AND IC-3 ARE INTEGRATED CIRCUITS.
 THE DC VOLTAGES ARE MEASURED WITH THE DC SUPPLY AT 120 VOLTS.
 10% VARIANCE OF THE DC VOLTAGE INDICATED ON THE SCHEMATIC CAN BE CONSIDERED NORMAL.

NOTES:
 1. THIS RESISTOR WAS ADDED TO LATER PRODUCTION PWB AIDS.
 2. TO PREVENT POSSIBLE I-F OSCILLATION.
 3. NORMAL OPERATING POSITIONS.
 4. EXHAUSTION: ALL IC'S CAN BE EASILY DAMAGED BY -DET. CARRYING TURN ON/OFF BEFORE REMOVING OR REPLACING IC'S.
 5. UNLESS OTHERWISE SPECIFIED:
 a. ALL RESISTORS ARE 1/4 WATT.
 b. ALL CAPACITORS ARE 50V UNLESS OTHERWISE SPECIFIED.



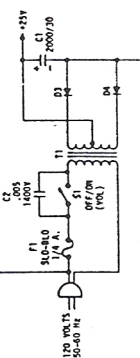
RESISTOR VALUES

01	0.07	68K
02	0.05	840
03	0.07	5.7K
04	0.07	200
05	0.07	200
06	0.07	200
07	0.07	200

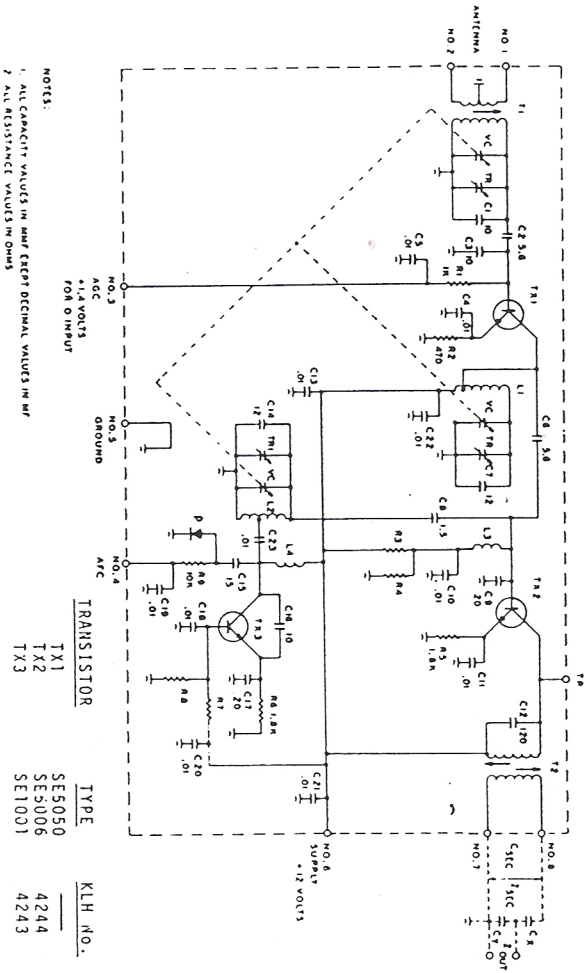
IC COMPONENTS

IC-1	IC-2	IC-3
01	02	03
04	05	06
07	08	09
10	11	12
13	14	15
16	17	18
19	20	21

POWER SUPPLY

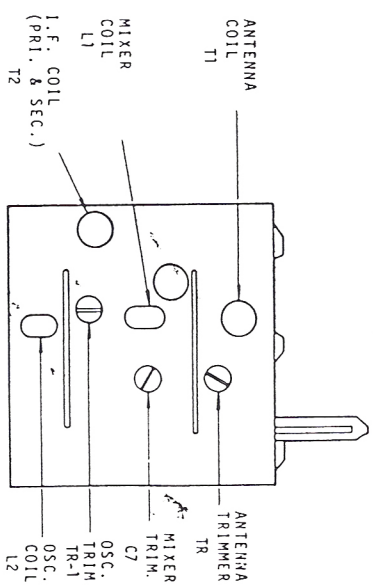


WALLER TUNER



NOTES:
 1. ALL CAPACITY VALUES IN MICRO-FARAD UNLESS OTHERWISE SPECIFIED.
 2. ALL RESISTANCE VALUES IN OHMS

TRANSISTOR	TYPE	KLH NO.
TX1	SE5050	4244
TX2	SE5006	4243
TX3	SET001	



Also see other side