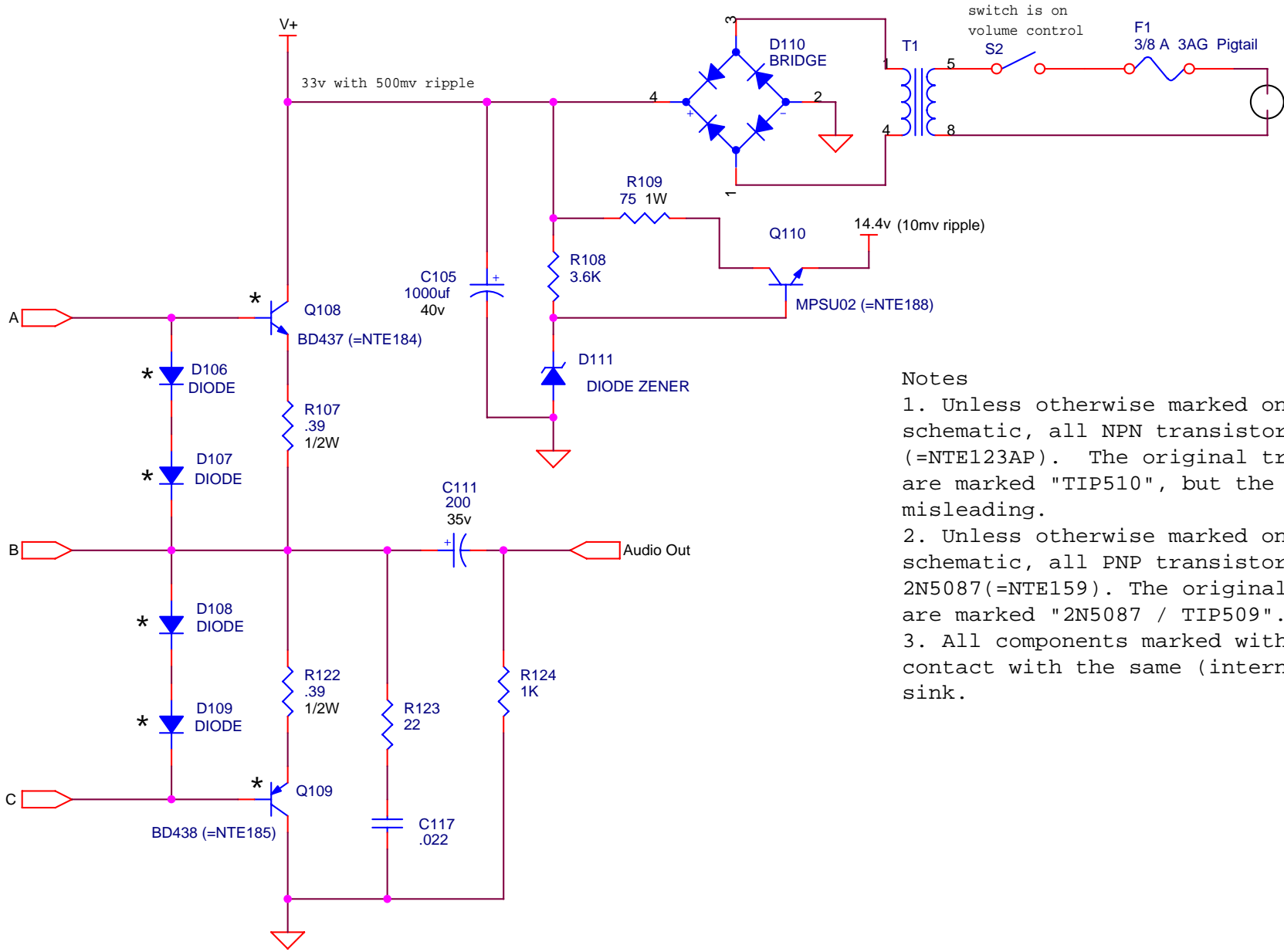


Title		
Advent Model 400 Amplifier Board		
Size	Document Number	Rev
A	Copyright (c) 2004 LTJ Designs	1.1
Date:	Saturday, December 25, 2004	Sheet 1 of 2



Notes

1. Unless otherwise marked on the schematic, all NPN transistors are 2N5088 (=NTE123AP). The original transistors are marked "TIP510", but the marking is misleading.
2. Unless otherwise marked on the schematic, all PNP transistors are 2N5087(=NTE159). The original transistors are marked "2N5087 / TIP509".
3. All components marked with * are in contact with the same (internal) heat sink.

Title		
Advent Model 400 Amplifier Board		
Size	Document Number	Rev
A	Copyright (c) 2004 LTJ Designs	1.1
Date:	Saturday, December 25, 2004	Sheet 2 of 2